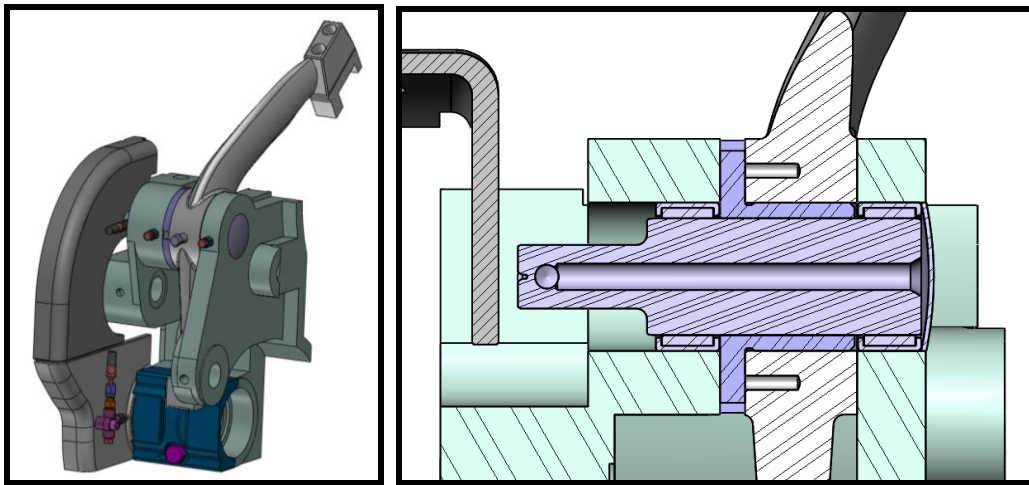


Engineering Bulletin

624-2-SA

Needle Bearing Locating Lever Stud Assembly



This is an update to our standard 5080-34-1-SA Locating Lever Assembly. The new assembly features precision needle bearings in place of the older tapered bronze bushing design. The old design required intermittent adjustments in order to keep the locating lever stud tight. If the bushings weren't adjusted correctly, the revolving head index would vary, or the locating lever will pick-up and seize. The new needle bearing design eliminates the need to make any adjustments, and can be retrofit on all Davenport screw machines. The bearings are preloaded to work with a ZERO CLEARANCE design and are now connected to the machine's automatic lubrication system, to maximize machine precision and minimize time lost to maintenance. The assembly is easy to install, and is complete with the Stud, Bearings, Nuts, Coolant fittings/manifold, and sleeves.

New Features:

- Increased rigidity and precision
- Eliminates adjustment of stud/bushings
- Connection to lubricant system to flush bearings for longer life
- Retrofittable to ALL Davenport machine models

Our knowledgeable and courteous sales staff at
National Manufacturing Supply Corporation (NATMAN)
is ready to assist you.
Please give us a call
Toll Free: 800-345-5512