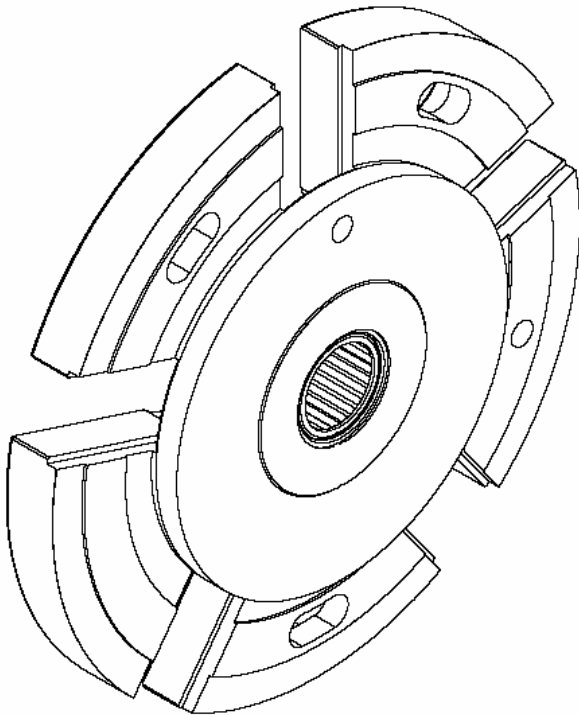




## Product Bulletin

### 5134-1

### Geneva Motion Star Wheel



The redesigned **Geneva Motion Star Wheel** now uses a precision needle bearing instead of the traditional bronze bushing. Wear of the bronze bushing over time can cause inconsistent indexing of the revolving head, and is a leading cause of revolving head crashes. This machine failure can be particularly difficult & costly to repair. Severe crashes usually crack a rib on the revolving head, and may require the complete disassembly of major sections of the machine, and costly repair parts.

In this application, with short & intermittent motion preventing the development of a uniform oil film, needle bearings can outlast the bushings by a factor of 10. This reduced wear will help avoid crashes, & will allow for a more repeatable and reliable pre-load of the locating lever arm, increasing the indexing accuracy of the machine, and reducing wear on the other indexing components.

#### New Features:

- Needle bearings last longer, and require less maintenance
- Geneva wheel provides more accurate indexing for a longer time
- Reduces frequency of crashes due to wear of bushing
- Reduces wear on other indexing mechanism components

Our knowledgeable and courteous sales staff at  
National Manufacturing Supply Corporation (NATMAN)  
is ready to assist you.

Please give us a call  
Toll Free: 800-345-5512