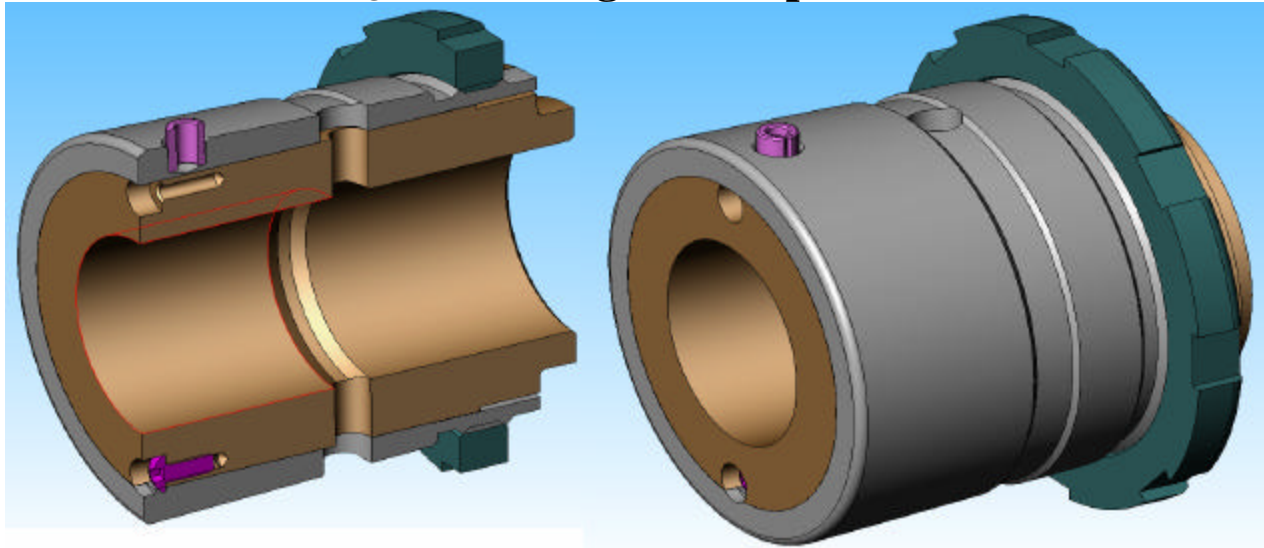




NEW Product Bulletin

335-U-SA Quick Change Tool Spindle Front Box



This *Patent Pending* product was developed in conjunction with our customers to cut **HOURS** off of every setup requiring a tool spindle change. When installing a standard one-piece box, it can commonly take one hour to properly align a tool spindle, particularly a revolving spindle. With this new Quick Change Box, the steel Outer Housing can be aligned and installed once, and interchangeable bronze liners can then be swapped in less than a minute. Changing from a stationary spindle to a revolving or broaching spindle can be done without disturbing the spindle alignment! All the worn boxes in a machine can be replaced quickly and easily without hours of costly maintenance. Each 335-U-SA will pay for itself after the second set-up. When used with our new 672-U1-SA and 672-U2-SA Universal Backlash Collars, you can pull a complete spindle assembly out and replace it in minutes. No other “Quick Aligning” tool-spindle system for a Davenport can claim half of these improvements, and no other system is this easy to use, or inexpensive to own. After only 2 weeks of using this new system, one of our first customers has ordered 80 more assemblies to retrofit all of their machines. You cannot afford to pass up this huge improvement to productivity and machine efficiency.

New Features:

- Permanently installed and aligned steel Outer Housing
- Assembly comes complete with the 2 most common bushing liners (Ø1.125 & Ø1.375)
- Ø1.656 ID liners are also available (Part # 335-UB-1656)
- Absolute *lowest* cost-of-ownership of any tool-spindle bushing system available
- For the easy installation, ask us about arbor ST-7229-SA and extractor ST-7234-SA
- Will replace 335, 337 or 339 boxes in any of the five tool spindle positions
- 100% interchangeability with genuine Davenport Machine OEM parts

Our knowledgeable and courteous sales staff at
National Manufacturing Supply Corporation (NATMAN)
is ready to assist you.
Please give us a call
Toll Free: 800-345-5512